

**Automotive  
Equipment**

# RW3

## Transponder Key Duplicator



More than a “read / write” device, the RW3 detects, reads, generates, archives and clones transponder and electronic “clonable” keys. All these features combined into a compact, portable tool.

The  to your success



A member of the Kaba Group  
[www.kaba-ilco.com](http://www.kaba-ilco.com)

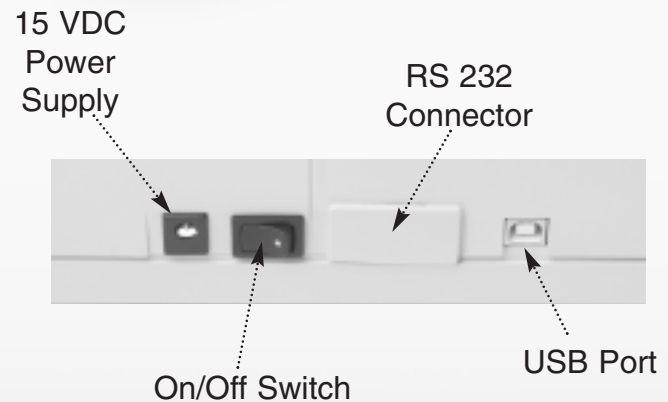
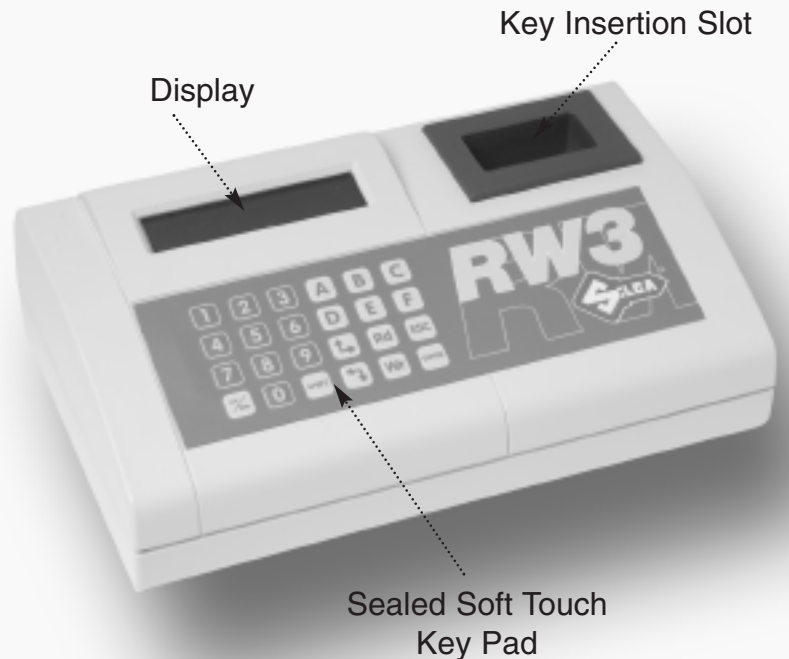
# RW3

Take full control with the RW3. This tool detects, reads, generates, archives and clones transponder and electronic “clonable” keys.

When used with battery powered clonable key blanks, this unit will identify and copy Texas Instruments® fixed transponder chips. The RW3 used in conjunction with “clonable” key blanks” eliminates the need for two master keys (original keys). These keys are programmed using the RW3, eliminating the need for on-board programming.

Stay on the cutting edge of automotive key duplication with easily installed software updates. Update notices are sent to all registered RW3 owners.

- Identifies encrypted transponders
- Duplicates and displays TI transponder fixed codes
- Log and archive capability
- Indicates chip type, value and manufacturer
- Built-in, sealed “soft touch” keyboard
- Easy to read LCD display
- Updatable Software
- Multiple language support
- Portable, compact, lightweight design
- 12V DC power adapter included
- USB and Serial Port
- RS232 Connector



## Specifications:

**Dimensions:** 6.3"W x 9.7"D x 3.2"H  
(16cm x 24.6cm x 63.5cm)

**Weight:** 3.5 lbs. (1.6kg)

